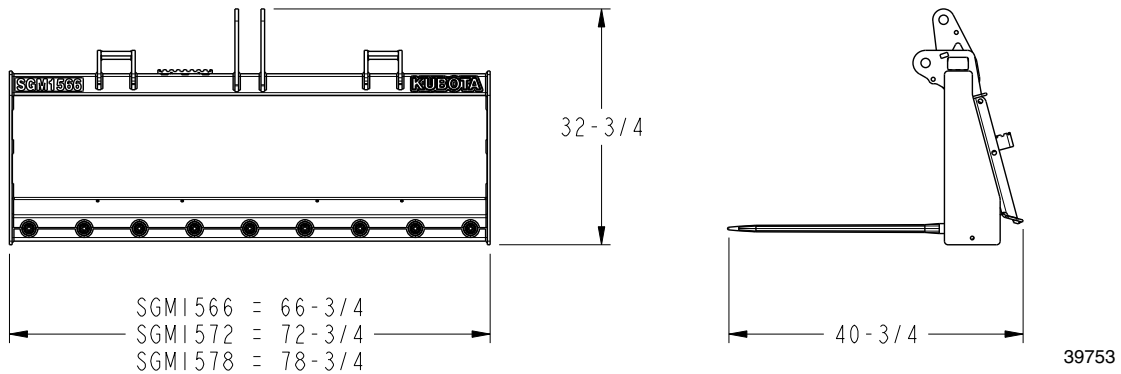
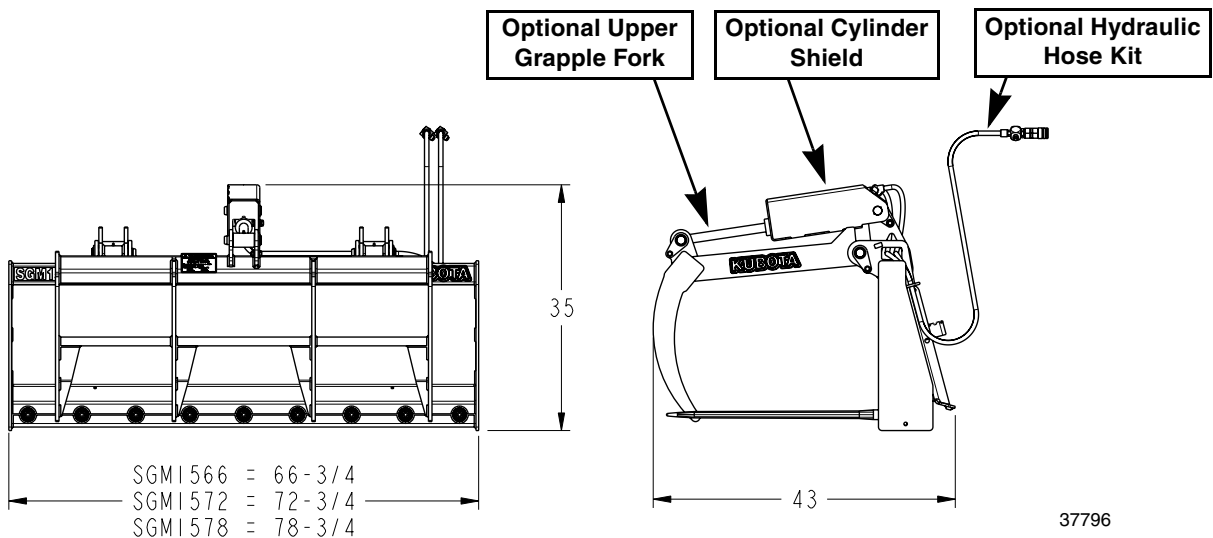


SGM15 Series

Specifications & Capacities			
Model Numbers	SGM1566	SGM1572	SGM1578
Lower grapple weight	410 lbs.	427 lbs.	455 lbs.
Number of bottom spears	9	9	10
Spacing of bottom spears	7 5/8"	8 5/16"	8 1/8"
Bottom spear diameter	1 3/8"		
Working length of spears	30 3/8"		
Optional Equipment			
Upper grapple fork weight with optional hydraulic cylinder shield	191 lbs.	199 lbs.	199 lbs.
Number of grapple Teeth	4		
Hydraulic Cylinder	2" x 8" x 1 1/4" Rod		
Maximum hydraulic pressure	3500 psi		
Optional Hydraulic Hose Kit Part No. 380-062A	2 fabric protected hydraulic hoses (99" & 109" long), 2 elbows, 2 straight adapters, and 1 1/16" male and female quick couplers.		



Lower Grapple Without Options



Lower Grapple With Optional Upper Grapple Fork, Cylinder Shield, & Hose Kit