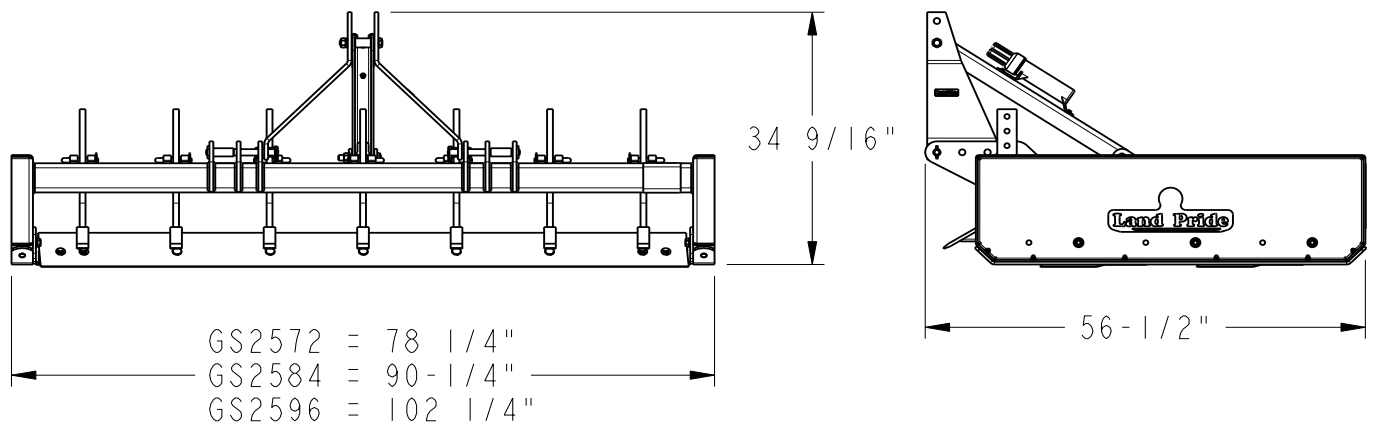


GS25 Series

Specifications & Capacities			
Model Numbers	GS2572	GS2584	GS2596
Working Width	72"	84"	96"
Overall Width	78 1/4"	90 1/4"	102 1/4"
Number of Scarifier Shanks	6	7	8
Tractor HP Requirement	40-90 hp	40-90 hp	40-90 hp
Unit Weight with Shanks	774 lbs.	846 lbs.	917 lbs.
Overall Length	56 1/2"		
Overall Height	34 9/16"		
Side Panel Height	14 5/8"		
Side Panel Length	50"		
Side Panel Thickness Tractor	1/4" Thick with 2 3/4" formed edges.		
Front Main Beam & Scarifier Support.	4"x 4" x 5/16" Reinforced heavy wall tubing.		
Rear Beam Construction	3"x 3"x 3/16" Heavy wall tubing.		
Skid Shoe Dimensions	3/8" Thick x 2 3/4" wide x 50 1/4" long.		
Skid Shoe Material	Constructed of high carbon steel		
Scarifier Shank Construction - Optional	Heat treated 4-position shank with dimpled-on hardened tips.		
Cutting Edges	Two 1/2" x 6" high carbon heat treated blades that are reversible and replaceable.		
Cutting Edge Placement	Two parallel grading blades positioned at a 5 degree grading angle with 20" fore and aft spacing in between leading edges.		
Cutting Edge Adjustment	Infinite vertical adjustment from level grade to 1 1/2" below grade.		
Shank Adjustments	3 1/2" and 1 1/2" below grade level. 1/2" and 2 1/2" above grade level.		
Lower Draft Link Attachment	Clevis type		
Hitch Type	Category I & II 3-point hitch Category I & II Quick Hitch Compatible		
Color Selections	Land Pride Beige or Orange		



26667