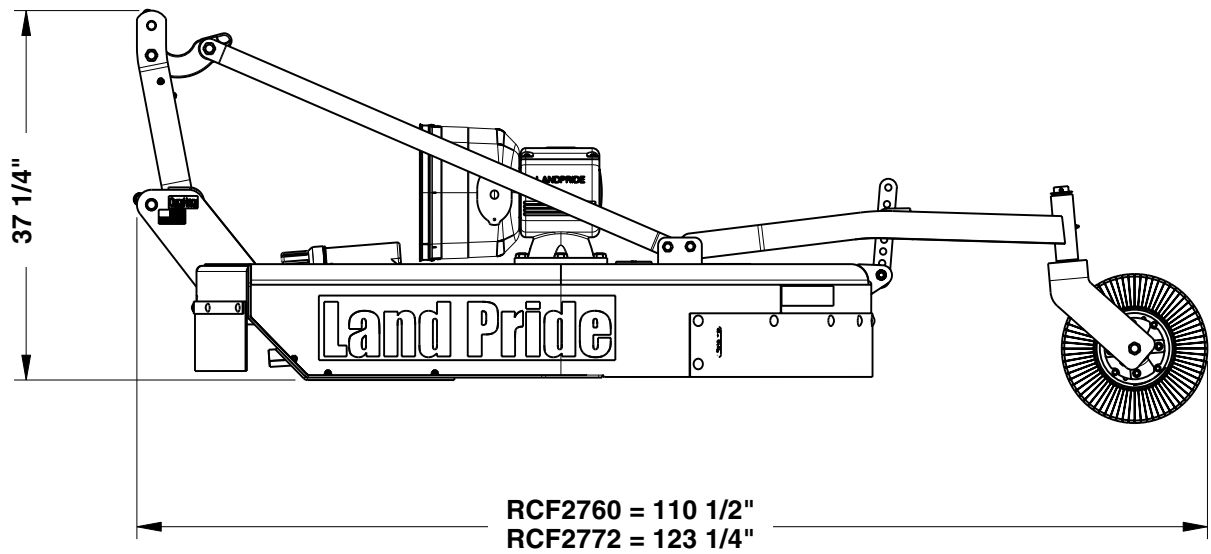
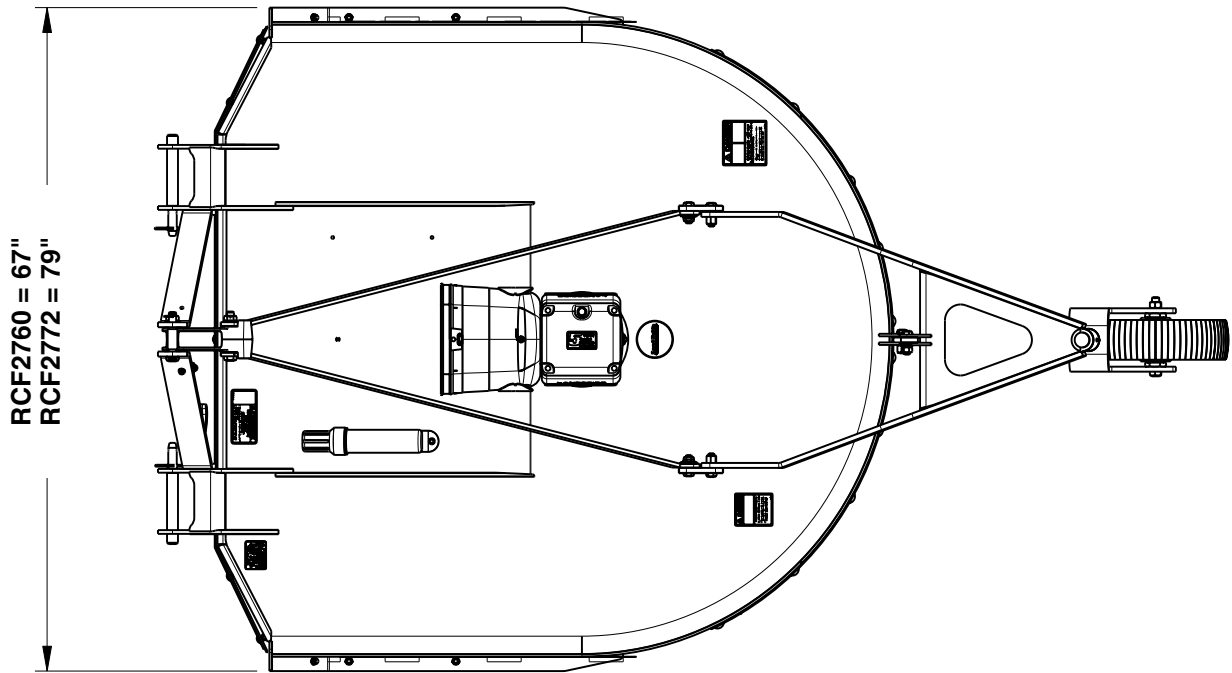


RCF2760 & RCF2772 Models

Specifications & Capacities		
Model Numbers	RCF2760	RCF2772
Machine Weight	955 lbs.	1,072 lbs.
	With front and rear Single Chain Guards	
Hitch	Category I or II with floating top linkage, Quick Hitch ready	
Cutting Width	60"	72"
Overall Width	67"	79"
Overall Length	109"	121 3/4"
Deck Height (Bottom of Deck to Bottom of Skid Shoe)	11 1/4"	
Cutting Height	1 1/2" - 12"	
Cutting Capacity	3" Diameter	
Recommended Tractor PTO HP	35-130 HP	
PTO Speed	540 RPM	
Gearbox	540 RPM PTO driven gearbox, 1:1.44 speed-up beveled gears, cast iron housing, 1 3/8"-6 spline input shaft and 2" output shaft	
Gearbox Lubricant	EP 80-90W oil	
Gearbox oil Capacity	7 pints	
Deck Construction	All welded deck	
Deck Material Thickness	10 Gauge	
Side Skirt Material Thickness	1/4"	
Skid Construction	Replaceable bolt on skid shoes	
Stump Jumper	3/16" x 24" Round Pan	3/16" x 30 1/2" Round Pan
Blades (2)	1/2" x 4" x 25" Heat treated alloy steel free-swinging high lift	1/2" x 4" x 29" Heat treated alloy steel free-swinging high lift
Blade Bolts	Keyed with harden flat washers & lock nuts.	
Blade Tip Speed	12,384 FPM	14,861 FPM
Driveline	ASAE Category 4	
Driveline Protection	4 plate slip clutch	
Tailwheel Mount Assembly	Welded A-arm and caster fork with 360 degree swivel	
Tailwheel	4.00" x 8" x 15" Laminated tire with cast iron hub and tapered roller bearings	
Front Guard	Optional: Rubber Belting or Single Chain Guard	
Rear Guard	Single Chain Guard	



30964