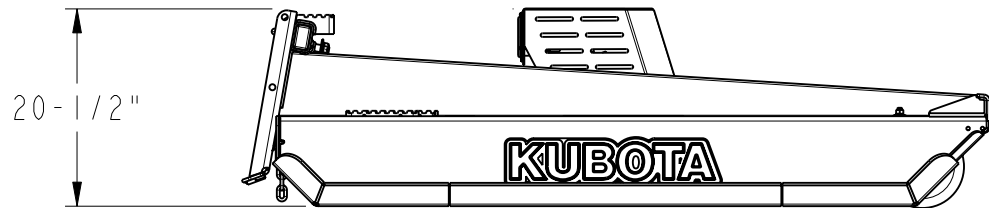
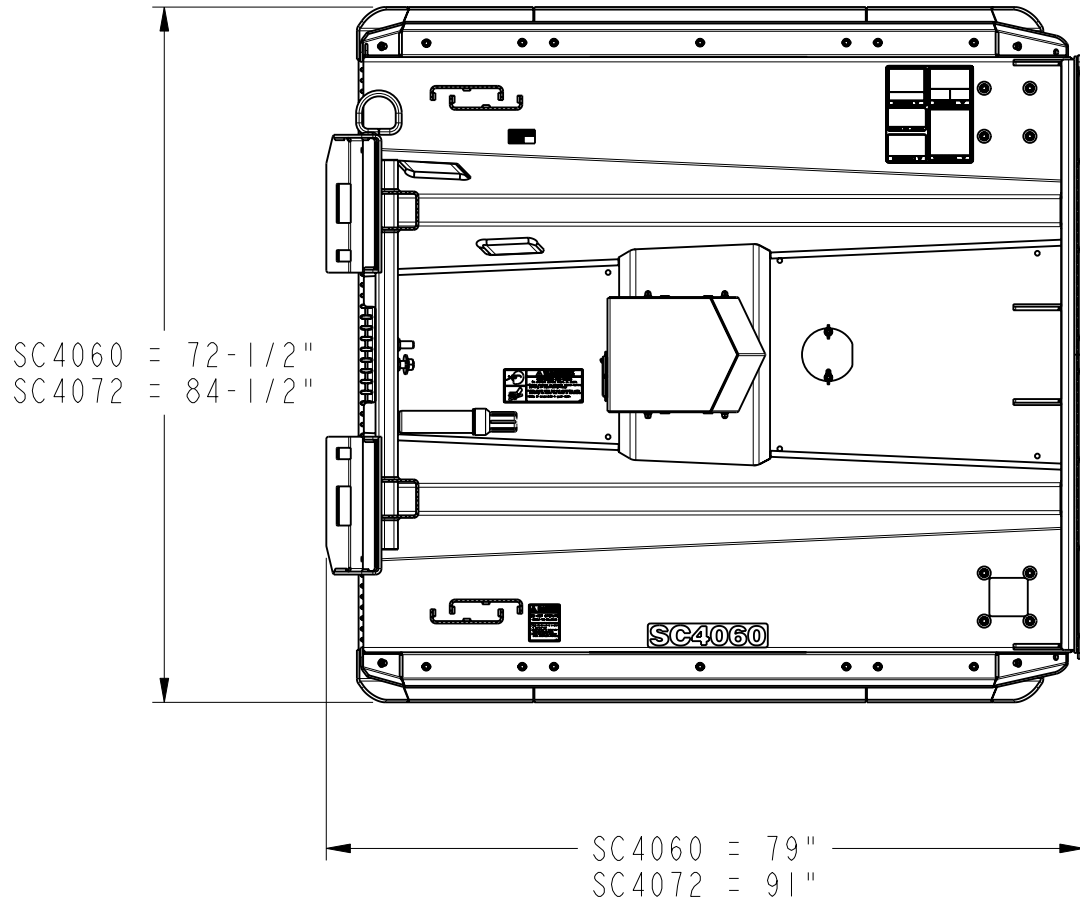


SC4060 & SC4072 Skid Steer Rotary Cutter

Specifications & Capacities		
Model Numbers	SC4060	SC4072
Cutter weight with skid shoes and without front roller wheels	1324 lbs.	1634 lbs.
Front roller wheels weight (Optional)	42 lbs.	
Protective door weight (Optional)	10 lbs.	
Hitch	Welded on	
Cutting width	61.5"	73.5"
Overall width	72"	84.5"
Overall length	78"	89"
Cutting height	1 1/2" to 18" infinitely variable.	
Cutting capacity	4" Diameter	
Spindle hub oil capacity	10 oz.	
Spindle hub oil	EP 80-90 wt. gearlube	
Standard drive motor	15-25 gpm flow	
High volume drive motor	26-43 gpm flow	
Hydraulic pressure	1500 to 3500 psi.	
Deck thickness	1/4"	
Side skirt construction	1/4" Steel	
Deck wear protection	Four corner mounted skid shoes and two mid skid shoes	
Skid shoes construction	3/8" plate	
Dishpan	Heavy-duty round 5/8" plate	
Blade size	1/2" x 5" bi-directional	
Blade rotation	Clockwise or counter clock wise	
Blade Bolt	1 1/8"-12 x 3 7/16" with key.	
16-25 gpm motor blade tip speed	15,668 fpm at 25 gpm.	16,678 fpm at 25 gpm.
26-43 gpm motor blade tip speed	15,440 fpm at 43 gpm.	18,527 fpm at 43 gpm.
Front deck protection	Single row chain guard	
Rear deck protection	Single row chain guard	
Deck lift height protection	Height adjustment safety chain	
Front rollers (Optional)	Welded round steel wheels	



39997