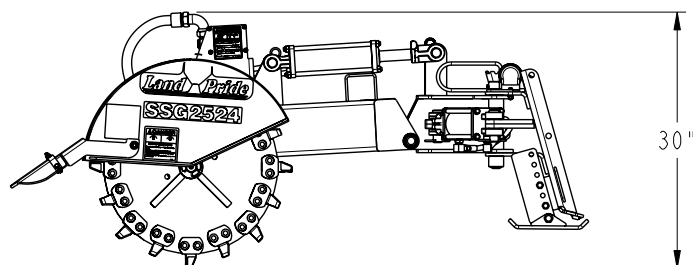
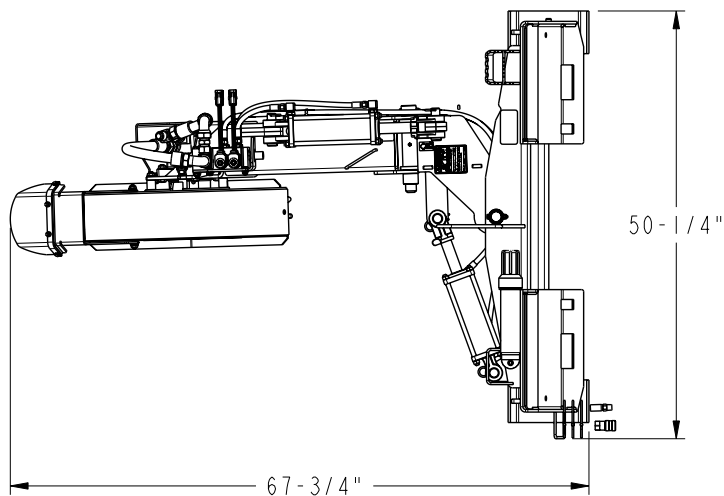


SSG2524 Model

List		Specifications & Capacities
Mounting Plate		Quick Attach
Main Frame		6" x 6" x 1/4" Tube
Overall Mounting Width		48"
Overall Length		60"
Overall Weight		540 lbs.
Drive And Control System		Hydraulic motor with electric over hydraulic
Hydraulic Requirements		17 to 32 GPM
Articulate Cylinder		3" x 6" stroke with 1 1/4" rod dia.
Tilt Cylinder		3" x 6" stroke with 1 1/4" rod dia.
Hydraulic Lines & Hoses		3/4" I.D. Hydraulic hoses with crimp on cordura sleeve 1/4" I.D. Case drain hydraulic hose
Number of Cutting Teeth	Straight Left-Hand Right-Hand	8 - Replaceable carbide teeth 12 - Replaceable carbide teeth 12 - Replaceable carbide teeth
Cutting Wheel Speed		590 to 1100 RPM
Cutting Arc		55 Degrees
Maximum Cutting Depth Below Ground		8"
Greaseable Hinge Points		Yes
Color		Black
Outside Cutting Wheel Diameter		23 3/4"
Cutting Wheel Thickness		1/2"
Maximum Pressure Rating		3500 psi



35338