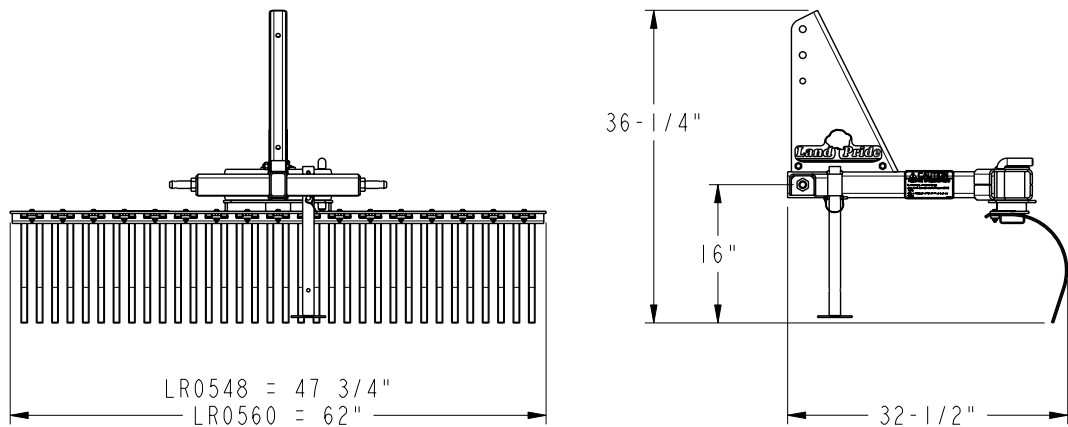


LR05 Series

	LR0548	LR0560
Rake Width	48"	60"
Approximate Weight 6(lbs.)	98	113
Horsepower Rating	15 - 20	
Rake Height	12"	
Hitch Type	Cat. 0 with Cat. I pins & Cat. I Limited	
Parking Stand	Standard	
Individual Replaceable Teeth	Standard	
Number of Teeth	26	34
Teeth Size	1/4" x 3/4" wide	
Teeth Spacing	1 3/4" Centers	
Teeth Material	High Carbon Spring Steel	
Angle and Position	5 Forward Positions 30 degrees Right or left	
Gauge Wheel Accessory	8 1/4" x 2 3/4" Dual Solid Wheels	
Flip Down Grader Blade Option	Not Available	
Rear Blade Attachment Accessory	Not Available	



35326