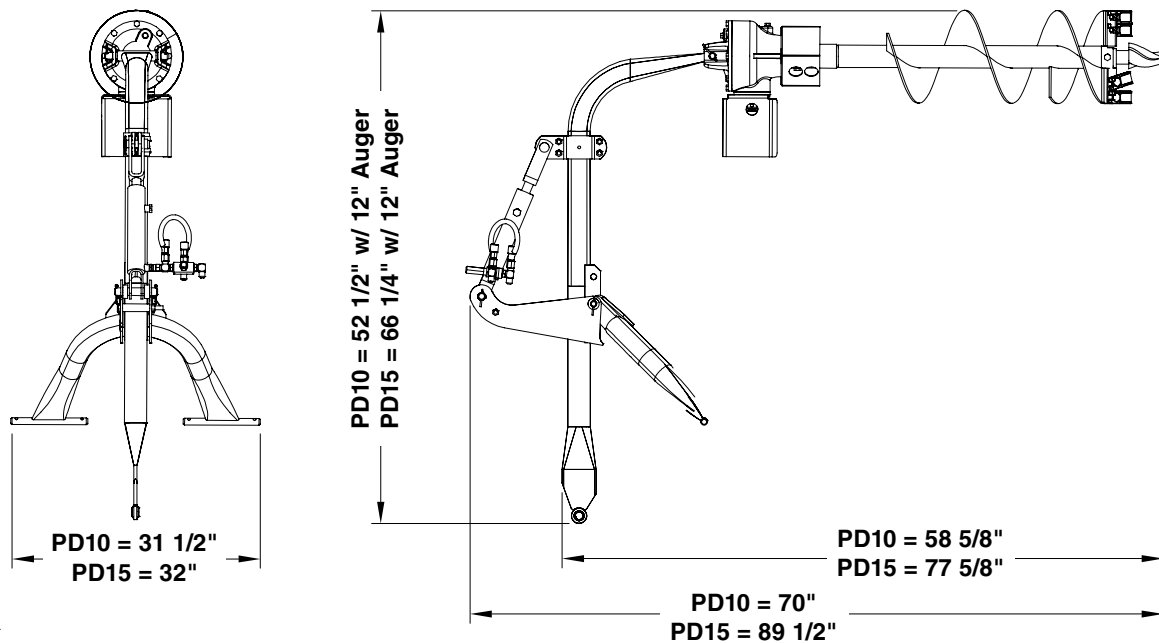


PD10 & PD15 Models

| Specifications & Capacities | | |
|-----------------------------------|--|--|
| | PD10 | PD15 |
| Tractor HP Range | 15 to 30 HP | 20 to 40 HP |
| Weight Without Auger | 120 lbs. | 161 lbs. |
| Auger Length | 30" | 48" |
| Auger Flight Thickness | 1/4" | |
| Auger Pipe | 2 1/2" ID | |
| Auger Teeth | Forged, Individually Replaceable 40 Degree angle installed on flat side 50 Degree angle installed on angled side | |
| Number of Teeth | 6" - 2 teeth 9" & 12" - 4 teeth | |
| Pilot | Cast steel, 3 drill points | |
| Driveline | Cat. II Shearbolt | |
| Maximum Operating PTO Speed | 300 RPM | |
| Gearbox | 1 3/8" 6B spline input shaft, 3:1 Ratio | 1 3/8" 6B spline input shaft, 3.18:1 Ratio |
| Gearbox Oil Capacity & Type | 3.4 Pints of SAE80-90W EP oil | 4.6 Pints of SAE80-90W EP oil |
| Output Shaft | 2" O.D. Round | |
| 3-Point Hitch Cat. | Cat. I | |
| Boom | 2 7/8" O.D. | |
| Yoke | 2 7/8" O.D. | |
| Options and Accessories | | |
| Auger Extensions (Accessory) | 7" & 14" Extensions Available | |
| Dirt Auger Sizes (Option) | 6", 9", or 12" | 6", 9", 12", 15", & 18" |
| Bolt-on Rock Head (Accessory) | Not Available | 6", 9", 12", 15", & 18" |
| Rock Auger Sizes (Option) | Not Available | 6", 9", 12", 15", & 18" |
| Cat. III Torque Limiter Driveline | Not Available | Not Available |
| Hydraulic Down Pressure Kit | Available | Available |
| Storage Stand | Available | Available |

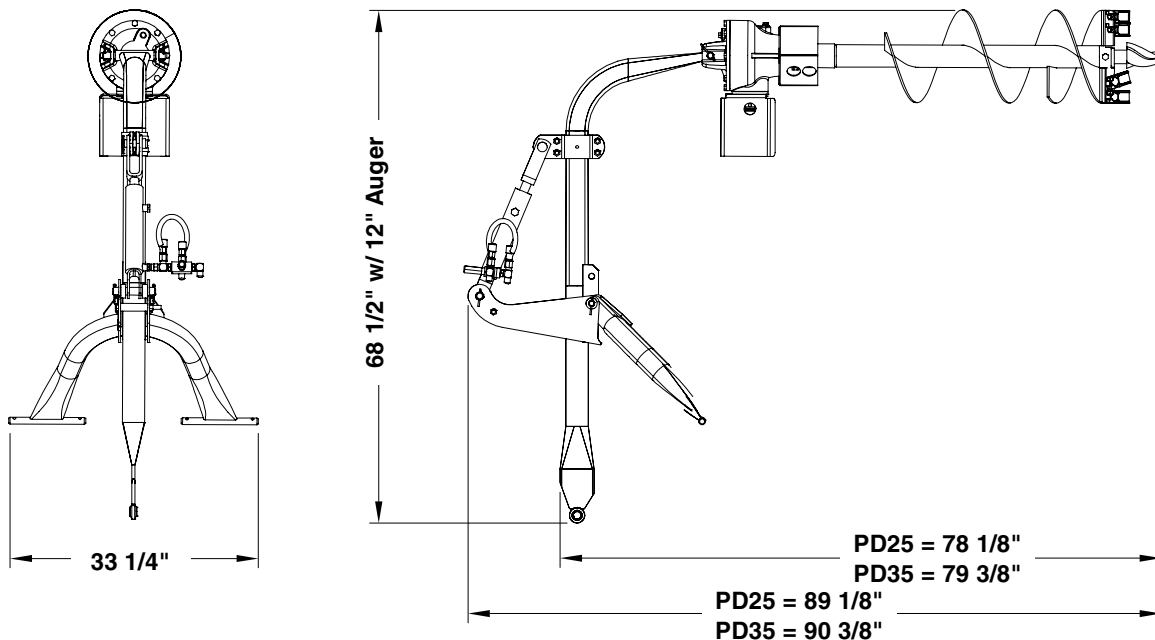


PD10 & PD15 Overall Dimensional Drawing

26776

PD25 & PD35 Models

| Specifications & Capacities | | |
|-----------------------------------|--|---|
| | PD25 | PD35 |
| Tractor HP Range | 25 to 55 HP | 30 to 75 HP |
| Weight Without Auger | 186 lbs. | 233 lbs. |
| Auger Length | 48" | |
| Auger Flight Thickness | 1/4" | |
| Auger Pipe | 2 1/2" ID | |
| Auger Tooth Construction | Forged, Individually Replaceable 40 Degree angle installed on flat side 50 Degree angle installed on angled side | |
| Number of Teeth | (6" - 2 teeth) (9" & 12" - 4 teeth) (15" - 5 teeth) (18" - 6 teeth) (24" - 8 teeth)' | |
| Pilot | Cast steel, 3 drill points | |
| Driveline Cat. | Cat. III Shear bolt - Standard Cat. III Radial pin clutch - Optional (Recommended on Auger Sizes 15" and above.) | |
| Maximum Operating PTO Speed | 300 RPM | |
| Gearbox | 1 3/8" 6B spline input shaft, 3.18:1 Ratio | 1 3/8" 6B spline input shaft, 4:1 Ratio |
| Gearbox Oil Capacity & Type | 4.6 Pints of SAE80-90W EP oil | 9.1 Pints of SAE80-90W EP oil |
| Output Shaft | 2" O.D. Round | |
| 3-Point Hitch Cat. | Cat. I & II | |
| Boom | 3 1/2" O.D. | 3 1/2" O.D. |
| Yoke | 2 7/8" O.D. | |
| Options and Accessories | | |
| Auger Extensions (Accessory) | 7" & 14" Extensions Available | |
| Dirt Auger Sizes (Option) | 6", 9", 12", 15", or 18" | |
| Bolt-on Rock Head (Accessory) | 6", 9", 12", 15", or 18" | |
| Rock Auger Sizes (Option) | 6", 9", 12", 15", or 18" | |
| Tree Auger size | 24" | |
| Cat. III Torque Limiter Driveline | Available | Available |
| Hydraulic Down Pressure Kit | Available | Available |
| Storage Stand | Available | Available |



PD25 & PD35 Overall Dimensional Drawing

26776