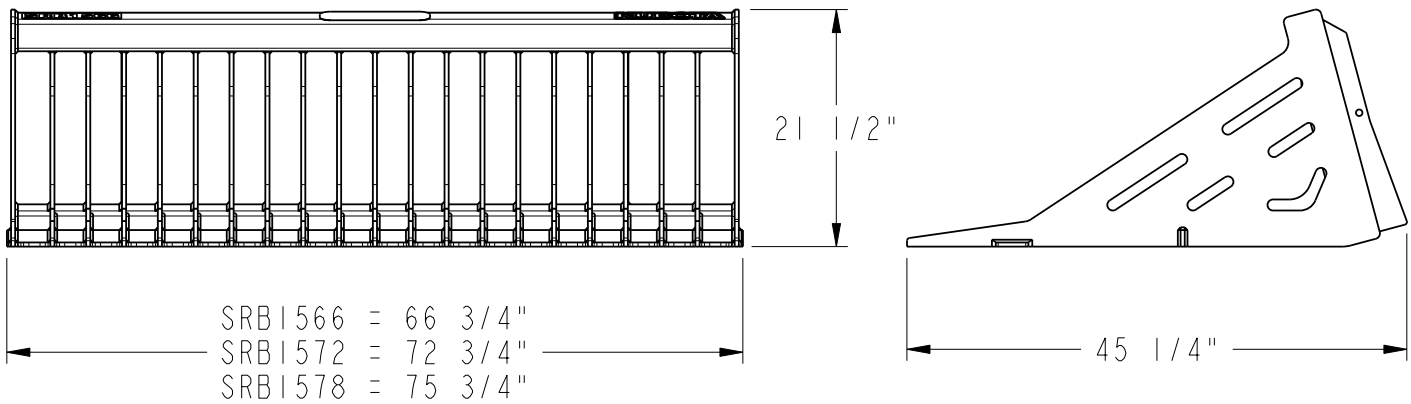


SRB15 Series

Specifications & Capacities			
Description	Rock Buckets		
	SRB1566	SRB1572	SRB1578
Weight	509 lbs.	551 lbs.	592 lbs.
Width	66 3/4"	72 3/4"	78 3/4"
Height	21 1/2"		
Number of Teeth	21	23	25
Teeth Spacing	3"		
Tooth Thickness	3/8"		
Working Length of Teeth	39"		
End Plates	Standard		



SRB15 Series Rock Buckets

37858