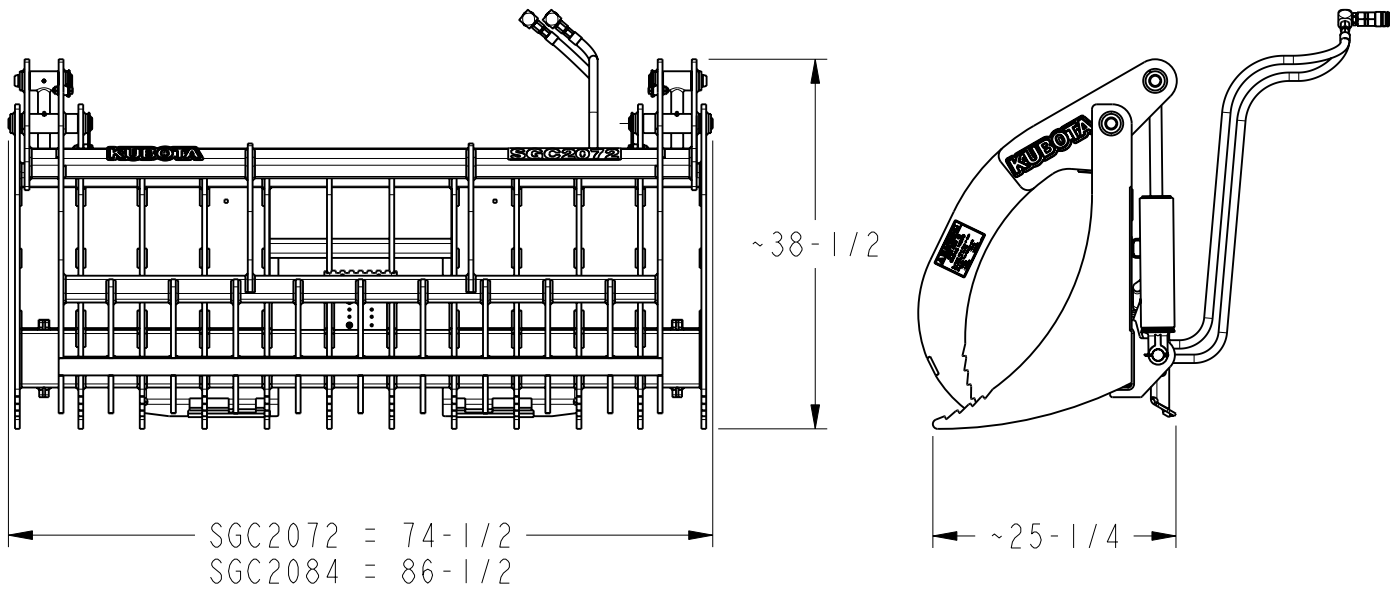


SGC20 Series

List	Specifications	
Model Numbers	SGC2072	SGC2084
Weight	895 lbs.	999 lbs.
Width	74 1/2"	86 1/2"
Closed Height	38 1/2"	38 1/2"
Number of Teeth	12 Bottom & 11 Top	14 Bottom & 13 Top
Teeth Spacing	6"	
Tooth Thickness	1/2"	
Working Length of Teeth	14 3/4"	
Hydraulic Cylinder	3" x 10" x 1 1/4" Rod	
Maximum Pressure Rating	3500 psi	



37769