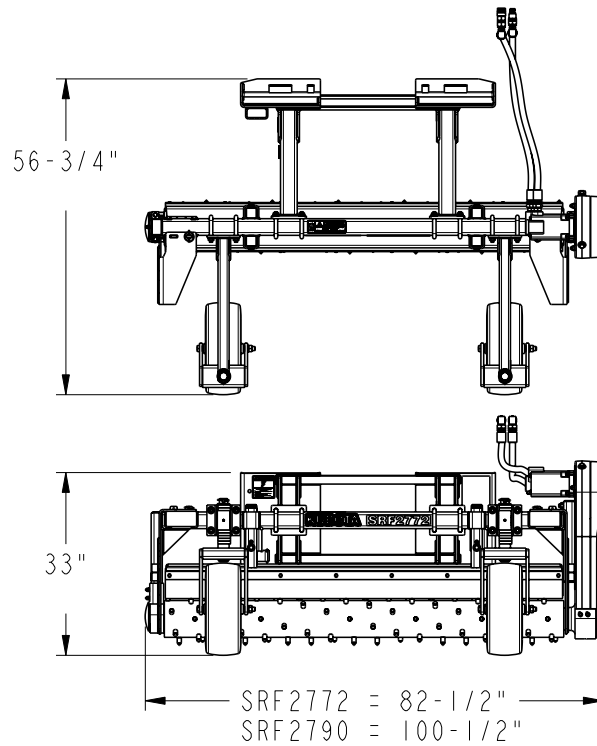


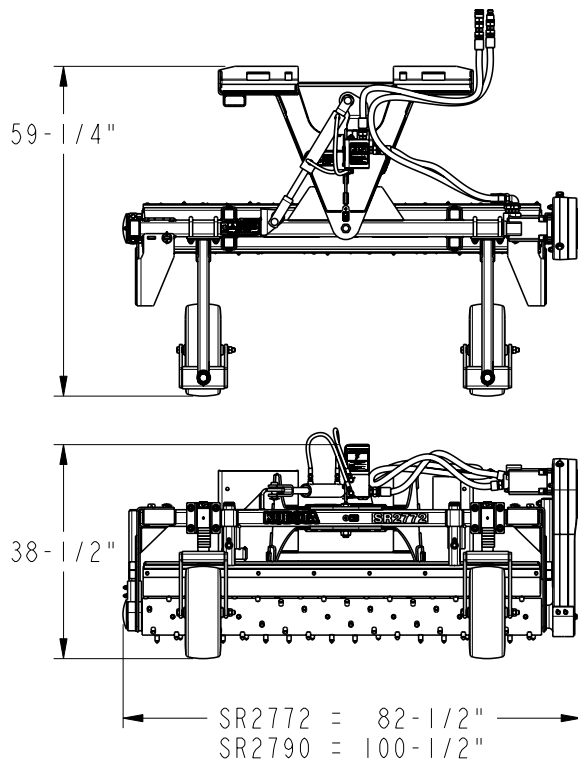
SR27 Series Skid Steer Powered Rakes

Specifications & Capacities				
Model Numbers	SRF2772	SRF2790	SR2772	SR2790
Hydraulic flow requirements	12 - 19 gpm	15 - 23 gpm	12 - 19 gpm	15 - 23 gpm
Hydraulic pressure range	2250 to 3500 psi	2250 to 3500 psi	2250 to 3500 psi	2250 to 3500 psi
Non-angled working width	72"	90"	72"	90"
Angled working width	N/A	N/A	67 5/8"	84 1/2"
Overall angled width	N/A	N/A	77 1/2"	94 1/2"
Weight without options: With float	N/A	N/A	1,005 lbs	1,119 lbs
Without float	867 lbs	883	988 lbs	1,102 lbs
Direction of travel	Bi-directional			
Material control blade	2 each - 1/2" x 5" urethane			
Spike roller	9 3/8" Dia. with 3/4" x 1 1/2" carbide tipped studs			
Roller speed	Variable from 200 - 350 rpm			
Roller side bearings	Roller Bearings			
Drive chain	#50 Double continuous roller chain, high tensile, enclosed in oil bath			
Side plates	Standard, Removable with Storage Rack			
Gauge wheels / depth control	2 Each 16.5" x 6.5" air tires w/ sealant and 3/4" roller bearings and spacer height adjustment			
Skid shoes	Replaceable			
Chaincase lubrication	2 1/2 Pints of Shell Gadus S2 V220 00 flowable grease or equivalent Part No. 821-045C (32oz. bottle) Add gear lube until it escapes from lower plug hole.			
Options				
Hitch	Fixed hitch	Available	N/A	
	Angle hitch	N/A	Available	
	Angle/float hitch	N/A	Available	
Angle actuator for angling 20° left & right	Hydraulically	N/A	2" x 8" Cylinder with solenoid valve ratchet jack	
	Manually	N/A		
Wire harness for solenoid hook-up	Kit #323-094A	N/A	14 Pin Connect	
	Kit #323-096A		2 Pin connect with 2 button switch	
	Kit #323-097A		Battery connect with 2 button switch	

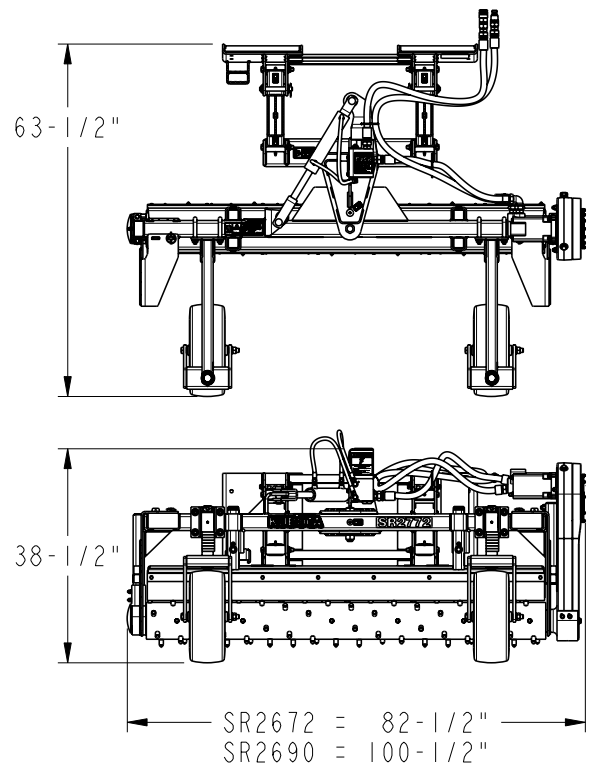
39775



With Fixed Hitch Option



With Angle Hitch Option



With Angle/Float Hitch Option