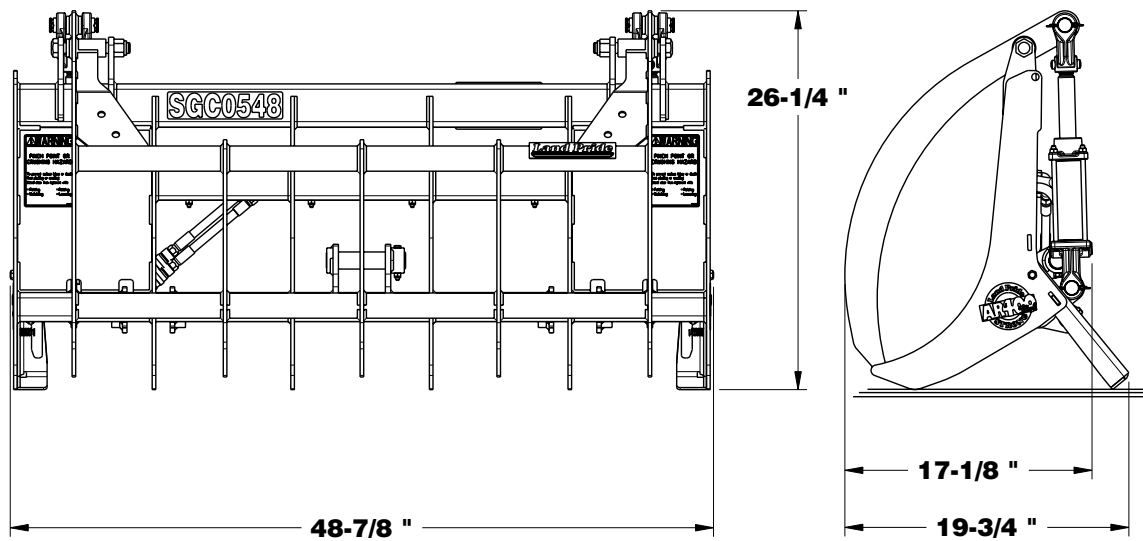


SGC0548 Model

Specifications & Capacities	
Weight	156 lbs.
Overall Width	48 7/8"
Closed Height	26 1/4"
Jaw Opening	30"
Number of Teeth	6 Bottom & 5 Top
Teeth Spacing	9 3/8"
Tooth Thickness	1/4"
Working Length of Teeth	8 3/8"
Hydraulic Cylinder	2" x 4" x 1 1/8" Rod
Maximum Pressure Rating	2500 psi



35830