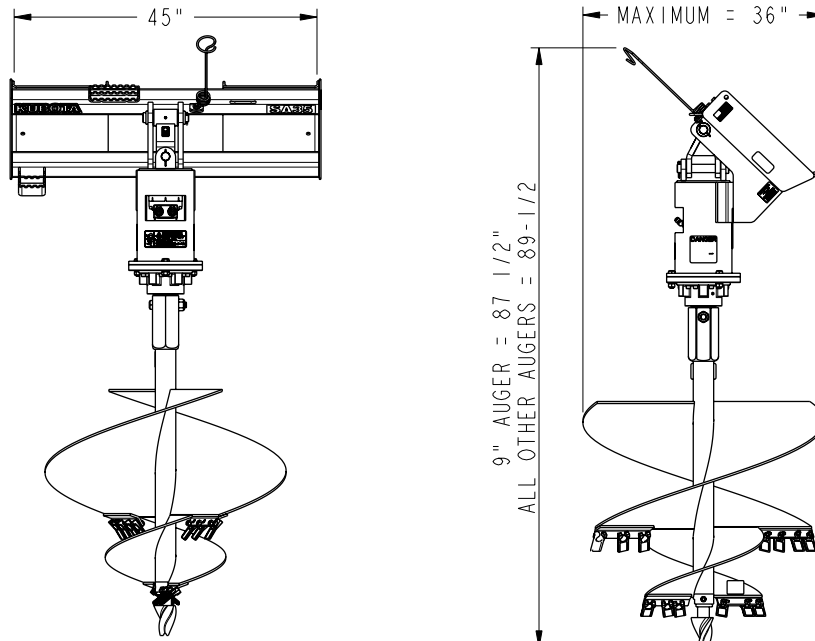


SA35 Model

Specifications & Capacities

Skid Steer Hydraulic Requirements	10 - 30 gpm @ 1500 to 3500 PSI		
Hydraulic Motor	18.3 CID		
Gearbox	Hydraulically driven planetary gearbox; reversible		
*Output Torque	2,732 ft-lbs based on 3,000 psi @ 20 gpm		
Hitch	Skid steer type quick attach that meets SAE		
Weight without Auger	435 lbs.		
Auger Length	9" Auger size = 49" All other auger sizes = 50 3/4"		
Auger Flighting Thickness	5/16"		
Auger Pipe	2 1/2" ID		
Auger Teeth	Forged, Individually Replaceable. 40 Degree angle installed on flat side and 50 degree angle installed on angled side		
Number of Teeth	Dirt Augers 6" - 2 teeth 9" & 12" - 4 teeth 15" - 5 teeth 18" - 6 teeth 24" - 8 teeth 30" - 10 teeth 36" - 12 teeth	Tree Augers 24" - 9 teeth 30" - 11 teeth 36" - 13 teeth	Rock Augers 6" - 6 teeth 9" - 10 teeth 12" - 12 teeth 15" - 14 teeth 18" - 16 teeth 24" - 20 teeth
Pilot	Cast Steel, 3 -Drill Points		Cast Steel, 4 - drill points
Hex hub puff auger Part# .317-318A	2" Pilot bit x 2" hex hub x 38.7" overall length		
RND hub puff auger Part# 317-318A	2" Pilot bit x 2 9/16" round hub x 38.7" overall length		
Options and Accessories			
Gearbox Output Shafts (Options)	2" Hex shaft or 2 9/16" round shaft		
Auger sizes (Options).	Dirt, 2" hex hub: 6", 9", 12", 15", 18", 24", 30", & 36" Dirt, 2 9/16" round hub: 9", 12", 15", 18", 24", 30", & 36" Tree, 2" hex & 2 9/16" round hubs: 24", 30" & 36"		
Bolt-on Rock Head (Accessory)	6", 9", 12", 15", 18", & 24"		
Auger Extensions (Accessories)	2" Hex extension: 24" & 48" Extensions Available 2 9/16" OD round extension: 24" & 48" Extensions Available		

*Kubota Tractor Corporation publishes the above specifications for information and comparative purpose only. Input hydraulic flow rates and pressures and output hydraulic flow rates, speed and torque are based on theoretical values and calculations, without considering operating losses, which can and will vary depending upon environmental and product conditions.



37746