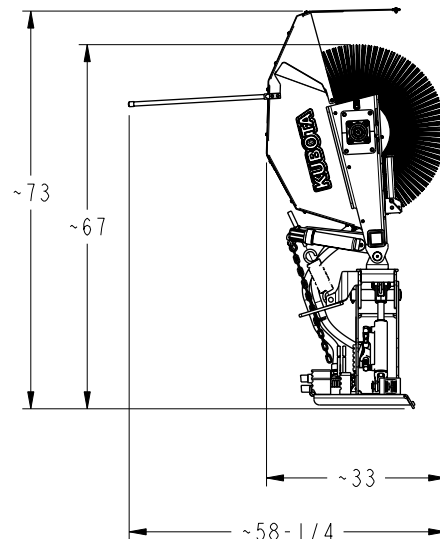
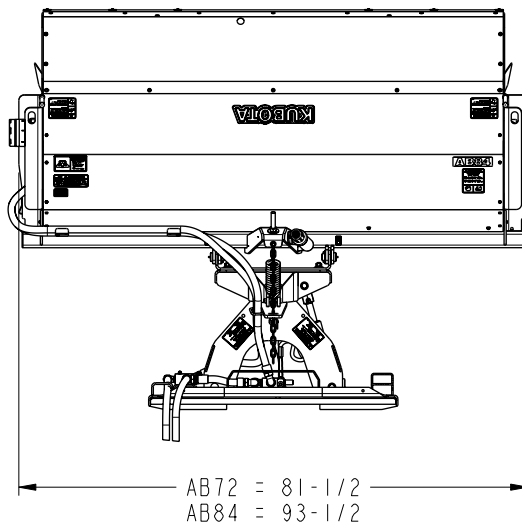


**AB Series**

List	Specifications & Capacities	
Model Number	AB72	AB84
Hitch	Universal quick coupler plate mount	
Weight w/ high flow set-up, hydraulic angling jack & combination broom	854 lbs.	930 lbs.
Overall Width	81 1/2"	93 1/2"
Overall Height	33"	33"
Wafer Quantities, Poly or Wire	2 Straight Poly Wafers 34 Convolute Wafers	2 Straight Poly Wafers 40 Convolute Wafers
Wafer Quantities, Combination Poly & Wire	2 Straight Poly Wafers 34 Convolute Wafers	2 Straight Poly Wafers 40 Convolute Wafers
Sweeping Width	72"	84"
Sweeping Width @ 30° Max Angle	65"	76"
Maximum Angle	Manual Angling: 30 Degrees left or right Optional Hydraulic Angling: 30 Degrees left or right	
Brush Diameter	32"	
Brush Rotor Shaft	Quick change broom core with no hydraulic breakage in changeover	
Hex Drive System	Replaceable	
Brush Bristle Type	100% Poly or 100% Metallic or 50% Poly and 50% Metallic	
Hood	Sheet Metal	
Jack Stands	Standard	
Float Control	Spring Loaded with adjustable down pressure & stops	
Hydraulic GPM Range	12-30 GPM	
Motor Rated Hydraulic Flow	18 CID Motor 23 CID Motor	
	18 GPM @ 220 RPM brush speed ("High Flow" option not available.) 25 GPM @ 230 RPM brush speed ("High Flow" option available for units capable of producing flows above 25 GPM. This option protects the hydraulic motor by diverting excess flow back to the tank.)	
Minimum Hydraulic Flow Required	12 GPM @ 2000 PSI	
Maximum Hydraulic Pressure Rating	3500 PSI	
Brush Speed Range	100 - 230 Rpm	
Hydraulic Rotor Drive Motor	Single motor drive standard	
Hydraulic Hoses	Standard for drive motor hook-up Optional with angling cylinder	
Hydraulic couplers	Standard	



37785