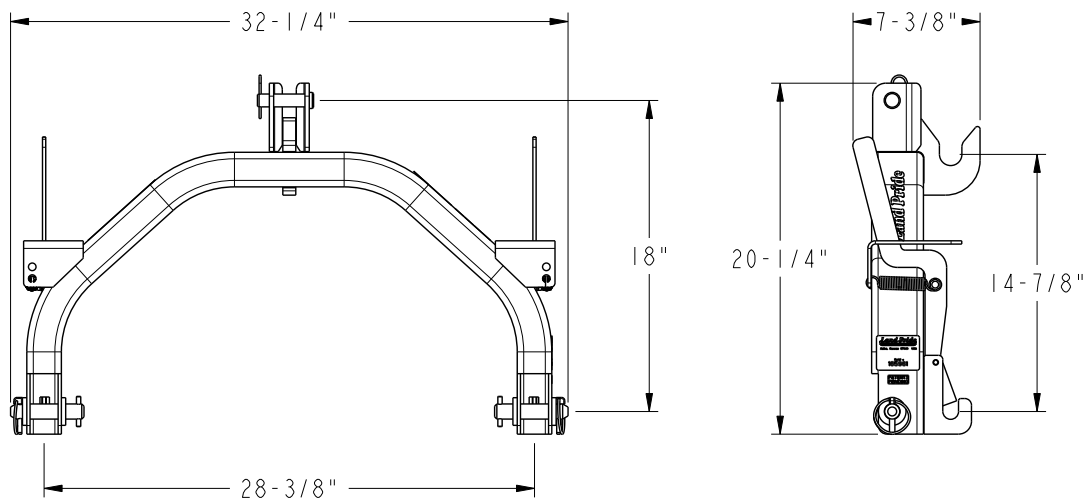


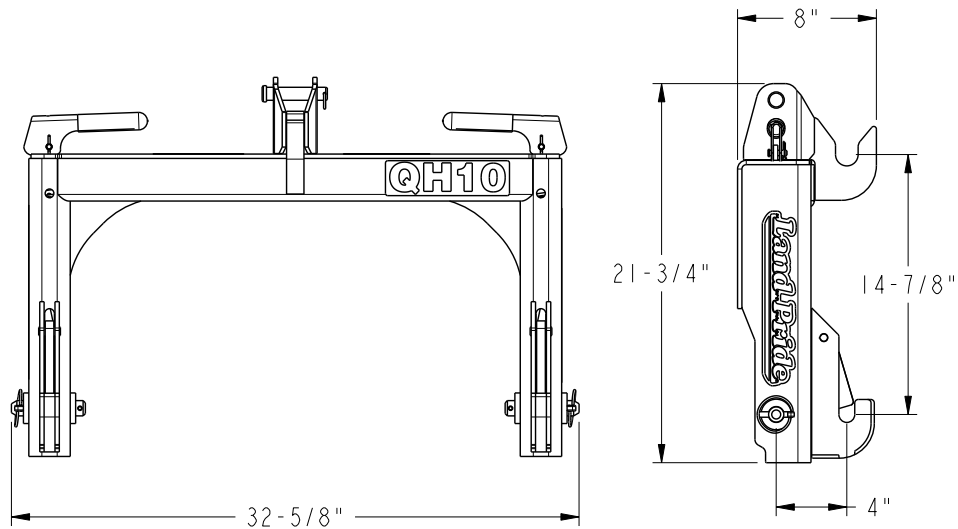
QH05, QH10, QH15 & QH20 Series

List	Specifications & Capacities			
Model Number	QH05	QH10	QH15	QH20
Hitch	Category 1, 3-point	Category 1, 3-point	Category 1, 3-point	Category 2, 3-point
Overall width	32 1/4"	32 5/8"	32 5/8"	40"
Overall height	20 1/4"	21 3/4"	23 1/4"	23 5/8"
Overall length	7 3/8"	8"	9"	8 7/8"
Weight without floating top link	37 lbs.	67 lbs.	70 lbs.	120 lbs.
Top hitch	Stationary	Stationary	Adjustable	Stationary
Hitch Pin Lock	Automatic on implement's lower 3-point hitch pins			
Maximum Lift Capacity	680 lbs. at 24" back from Cat. I implement lower 3-point hitch pins	2000 lbs. at 24" back from Cat. I implement lower 3-point hitch pins	2000 lbs. at 24" back from Cat. I implement lower 3-point hitch pins	3600 lbs. at 24" back from Cat. II implement lower 3-point hitch pins



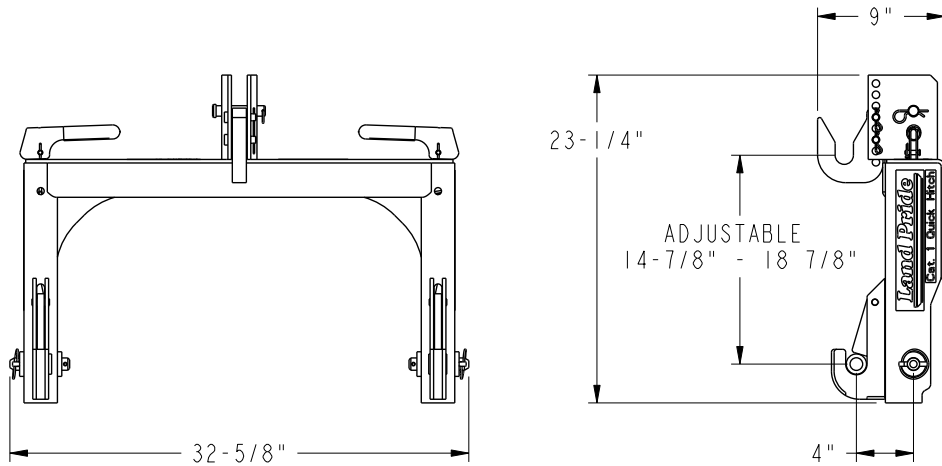
37128

QH05 Quick Hitch
Figure 5-1



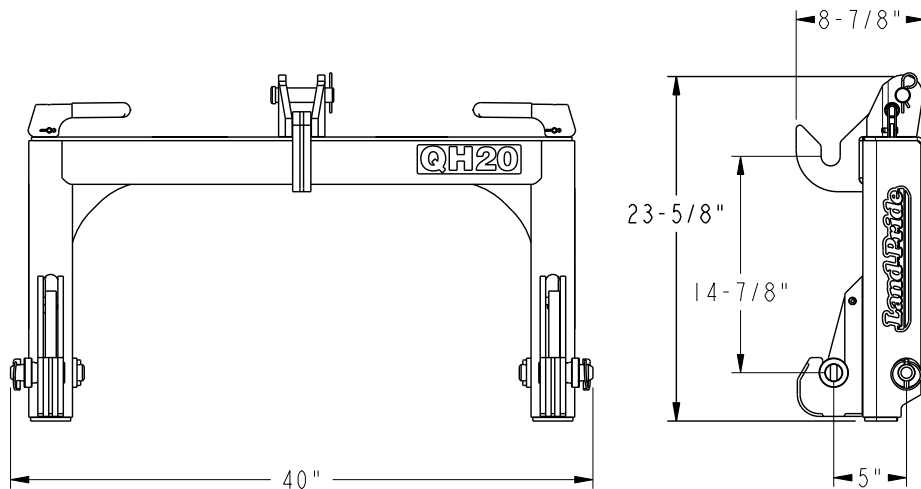
70121

QH10 Quick Hitch
Figure 5-2



26874

QH15 Quick Hitch
Figure 5-3



24879

QH20 Quick Hitch
Figure 5-4