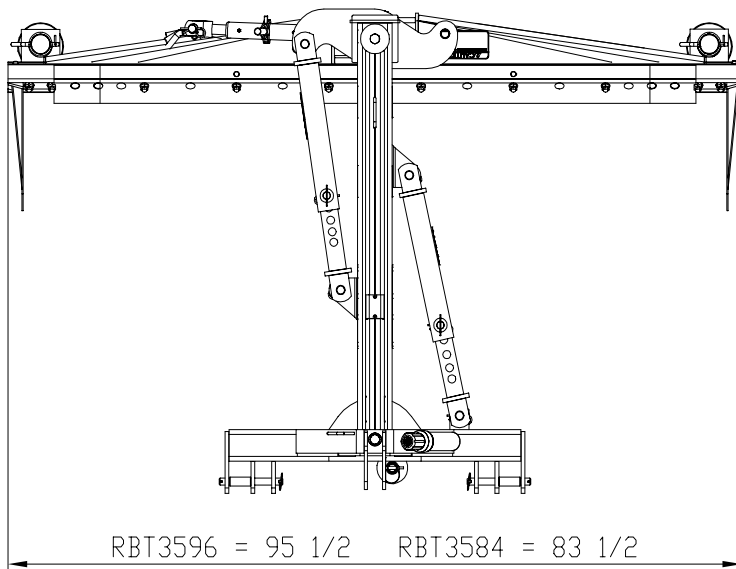
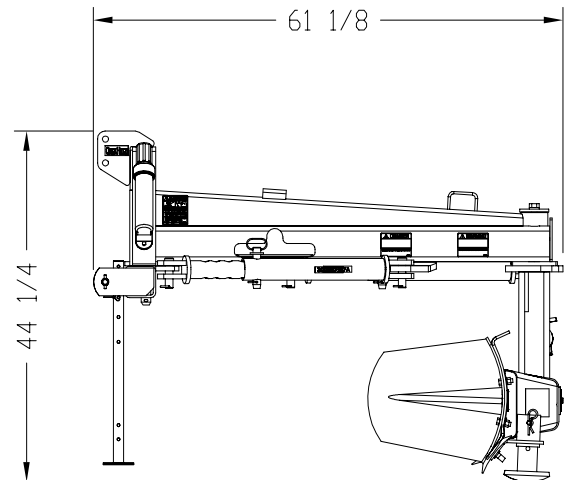


**Blades Rear**

<b>RBT35 Series</b>		
	<b>RBT3584</b>	<b>RBT3596</b>
<b>Blade Width</b>	84"	96"
<b>Approximate Weight (lbs.) with manual links</b>	709 lbs.	745 lbs.
<b>Maximum Tractor Horsepower</b>	80 HP for 2 Wheel Drive and 65 HP for 4 Wheel Drive	
<b>Maximum G.V.W. (lbs.)</b>	9500 lbs.	
<b>Hitch Type</b>	Cat. 1 & 2 Fits Land Pride Quick-Hitch	
<b>Blade Angle</b>	With blade facing forward or reversed <b>Manual Linkage:</b> Up to 40° in 10° increments clockwise and counterclockwise <b>Hydraulic Cylinder:</b> Up to 50 degrees clockwise and counterclockwise	
<b>Angle Cylinder</b>	3 1/2" X 14" X 1 1/4"	
<b>Blade Offset</b>	<b>Manual Linkage:</b> Up to 30 inches left and right in 9 positions (Center, 4 left and 4 right) <b>Hydraulic Cylinder:</b> Up to 30 inches left and right	
<b>Offset Cylinder</b>	3 1/2" X 14" X 1 1/4"	
<b>Blade Tilt</b>	<b>Manual Ratchet Jack:</b> Maximum 20° up and 20° down with blade facing forward or reversed <b>Hydraulic Cylinder:</b> Maximum 20° up and 20° down with blade facing forward or reversed	
<b>Tilt Cylinder</b>	2" X 6" X 1 1/4"	
<b>Moldboard King Pin</b>	3" diameter	
<b>Moldboard Height</b>	17" tall	
<b>Moldboard Thickness</b>	5/16" reinforced, 3/16" tapered reinforcement channel	
<b>Cutting Edge</b>	1/2" x 6" Heat treated, Replaceable & Reversible (Double bevel)	
<b>Main Frame Construction</b>	Fully Welded Tubular Construction	
<b>Parking Stand</b>	Retractable	
<b>Accessories</b>	Manual or Hydraulic Single Gauge Wheel Skid Shoes, End Plates, Hydraulic Selector Valve and Cushion Valve	



**Top View**



**Side View**

26808

*Designs, specifications, features and information are subject to change without notice.*