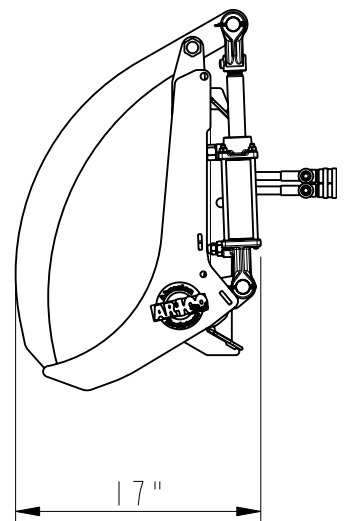
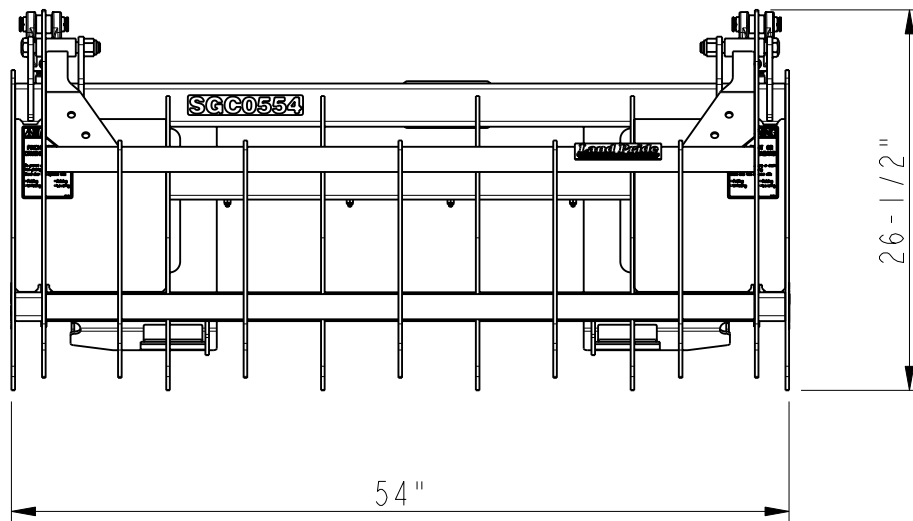


SGC0554 Model

Specifications & Capacities		
Tractor requirements:	Horsepower Weight	18-26 hp 1300-1600 lbs
Grapple weight		180 lbs.
Hitch Type		Universal quick attach hitch
Overall width		54"
Closed height		26 1/2"
Jaw opening		30"
Number of teeth		6 Lower teeth & 7 upper teeth
Bottom teeth spacing		5 spaces at 10 3/4" each
Bottom & top tooth thickness		1/4" AR400
Working length of teeth		8 3/8"
Hydraulic cylinder		2" x 4" x 1 1/8" Rod
Maximum hydraulic pressure rating		2500 psi



20021