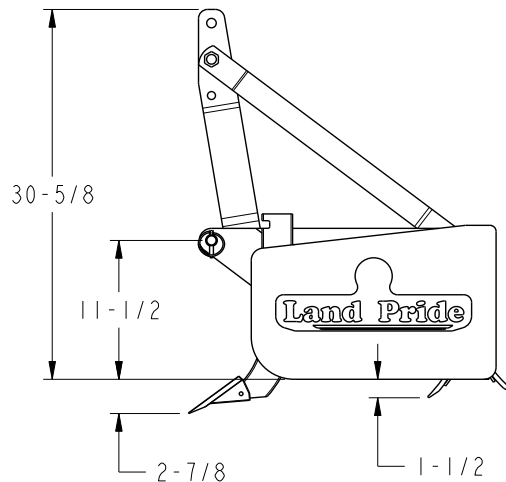
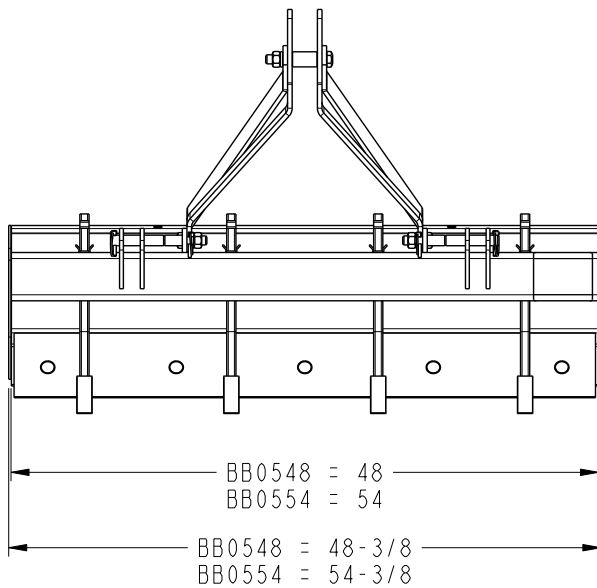


**BB05 Series**

List	Specifications & Capacities	
Model No.	BB0548	BB0554
Working Width	48"	54"
Capacity	7 cu.ft.	8 cu.ft.
Weight	277 lbs.	298 lbs.
Number of Shanks	4	4
Shank Material	3/4" x 2 1/2" x 15" heat treated spring steel	
Shank Penetration	2- positions (Out of the ground or 2 3/8" below scraper end plates)	
Shank Tip Construction	Replaceable heat treated dimpled-on tips	
Shank Beam	4" x 4" x 1/4" Square Tubing	
Lift Mechanism	Manual lift with spring retainer at each shank	
Moldboard	Bumped-formed moldboard -13 5/16" high	
Side Panels	3/16" thick x 12 3/4" high x 20" deep	
Depth of Bucket	18 1/2"	
Bucket Reinforcement	Two welded braces to rear of moldboard	
Cutting Blades	2 ea. 1/2" x 6" high carbon, heat treated cutting edges; reversible and replaceable	
Maximum H.P. Rating	25 HP	
A-Frame Material	3/8" x 3" C1021	
3-Point Hitch Type	Clevis type lower hitches Cat. 0, Cat. I & Cat. I Limited (Fits Land Pride Quick Hitch)	



26744