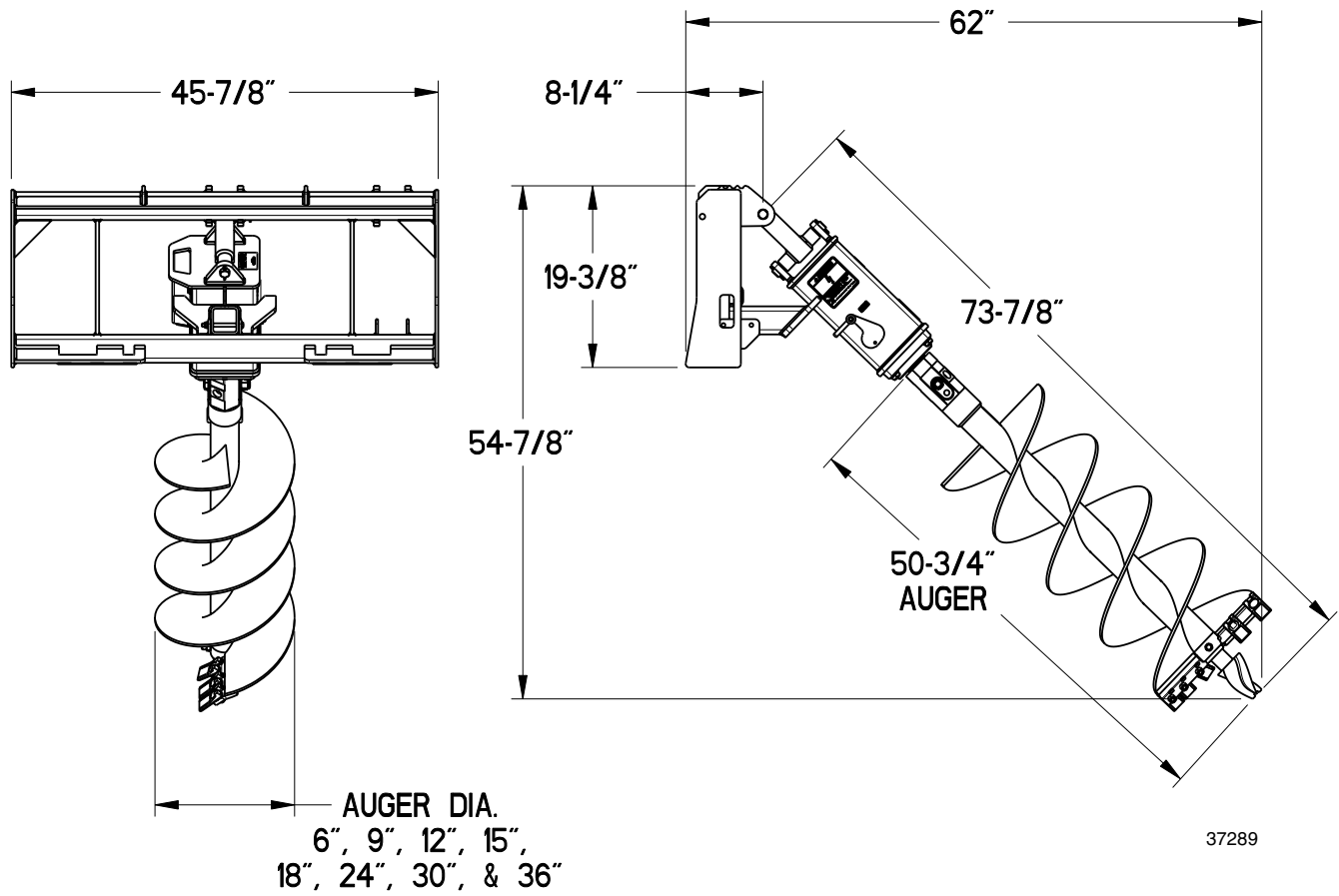


SA20 Model

Description	Specifications & Capacities		
Hydraulic requirements	6-30 gpm @ 1500 to 3500 psi		
Base Weight without Options	46 lbs.		
Auger length	9" Auger size = 49" All other auger sizes = 50 3/4"		
Auger flighting thickness	5/16"		
Auger pipe	2 1/2" ID		
Auger teeth	Forged, Individually Replaceable 40 Degree angle installed on flat side 50 Degree angle installed on angled side		
Number of auger teeth	Hex Head Double Augers 9" - 4 teeth 12" - 4 teeth 15" - 5 teeth 18" - 6 teeth 24" - 8 teeth 30" - 10 teeth 36" - 12 teeth	Hex Head Tree Augers 24" - 9 teeth 30" - 11 teeth 36" - 13 teeth	Rock Augers 6" - 6 teeth 9" - 10 teeth 12" - 12 teeth 15" - 14 teeth 18" - 16 teeth 24" - 20 teeth
Auger pilot	Cast Steel, 3 -Drill Points		Cast Steel, 4 - drill points
Auger drive	Hydraulic		
Gearbox	Hydraulically driven planetary gearbox; reversible		
Gearbox output shaft	2" Hex		
Gearbox API-GL-5 oil weight	SAE 90 @ 35° F min. temperature		
Gearbox oil capacity	14 oz.		
Options and Accessories			
Hitch options & weights	Skid steer plate with 8' hoses (127 lbs) Tractor front loader plate with 24' hoses (145 lbs)		
Hydraulic motor options & weights Medium flow High flow	10-20 gpm @ 1500 to 3500 psi (71 lbs) 15-30 gpm @ 1500 to 3500 psi (71 lbs)		
Auger sizes Dirt Tree Rock	6", 9", 12", 15", 18", 24", 30", & 36" 24", 30" & 36" 6", 9", 12", 15", 18", & 24"		
Bolt-on Rock Head Sizes	6", 9", 12", 15", 18", or 24"		
Auger extensions (Accessories)	2" Hex extension: 24" =34 lbs and 48" =58 lbs.		
Coupler options	Pioneer, large flat face, or small flat face (3 lbs)		



Post Hole Digger For Skid/Loader Plate, Center & Offset Mount