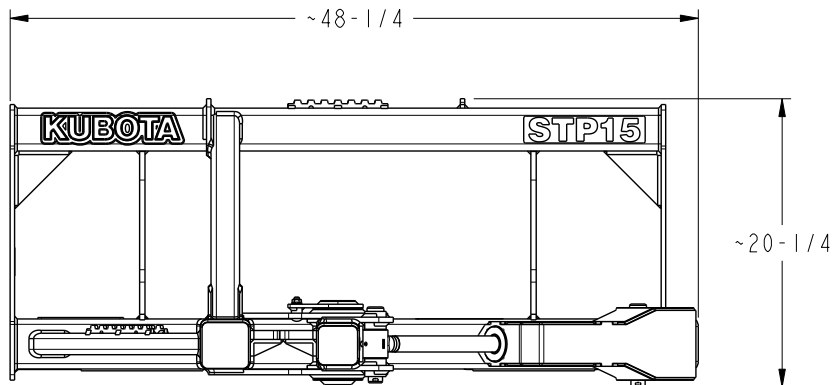
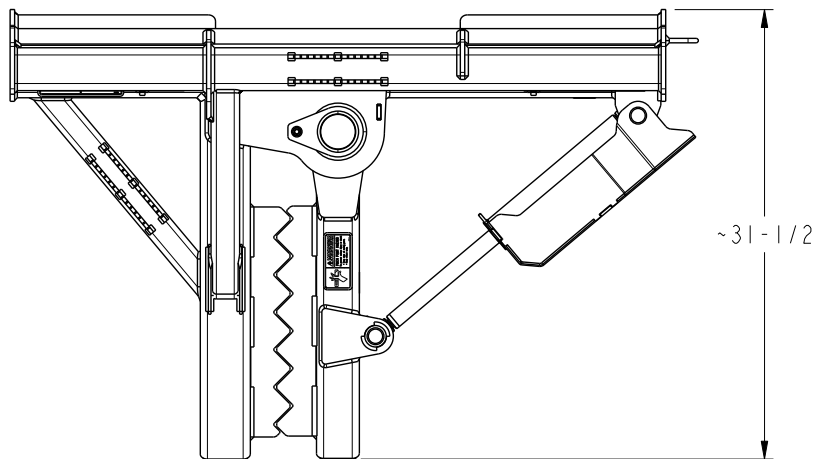


STP15

Specifications & Capacities	
Weight	228 lbs.
Hitch	Universal quick attach hitch
Frame construction	Lower 3/16" x 3 1/2" Square tube Upper 3/16" x 3" Square tube
Jaw opening	10" Maximum
Jaw construction	Teeth Laser cut from 5/8" steel x 16" long Tips Angled for digging
Jaw pivot pin	Greasable pin constructed of solid 2 1/2" diameter steel
Hydraulic cylinder	2" x 8" x 1 1/8" Welded hydraulic cylinder
Hydraulic cylinder pivot pins	Greasable
Cylinder guard	3/16" Welded steel plate
Quick disconnect couplers	Small flat face male & female couplers
Maximum pressure rating	3500 psi



3772