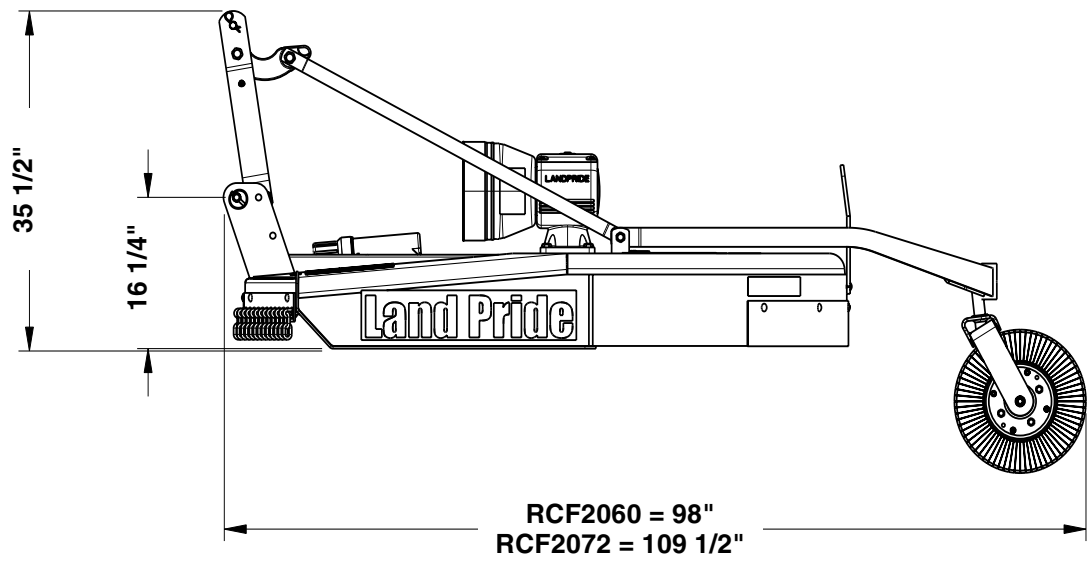
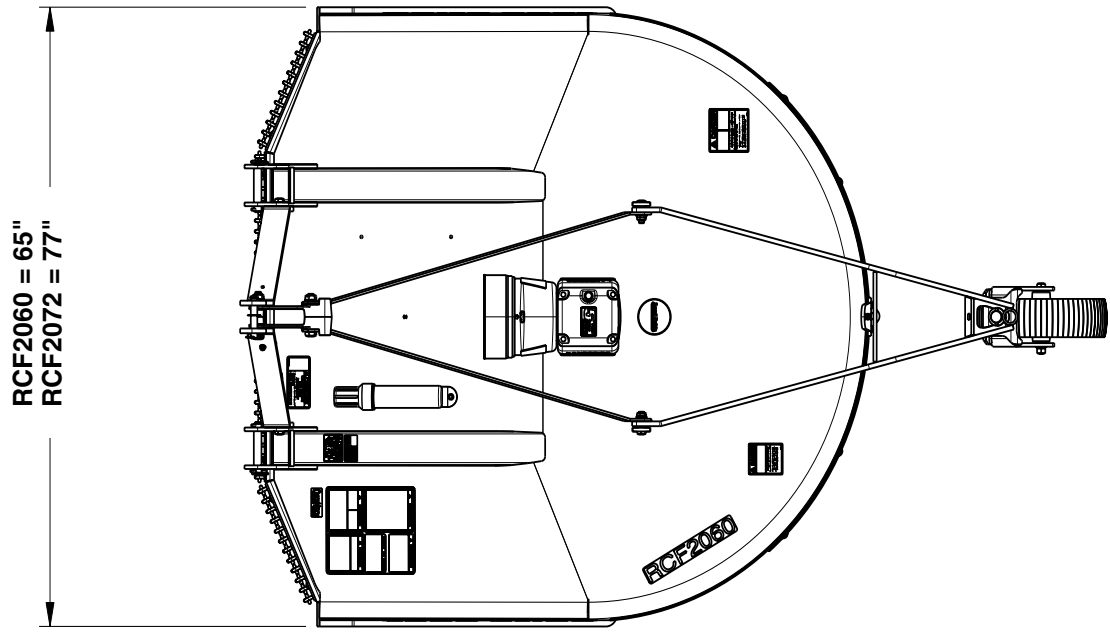


RCF2060 & RCF2072 Models

Specifications & Capacities		
Model Numbers	RCF2060	RCF2072
Machine Weight	620 lbs.	745 lbs.
	With laminated tailwheel, slip clutch driveline, Front Rubber Guards and Rear Metal Band.	
Hitch	Category I with floating top linkage, Quick Hitch ready	
Cutting Width	60"	72"
Overall Width	65"	77"
Overall Length	98"	109 1/2"
Deck Height (Bottom of Deck to Bottom of Skid Shoe)	9 11/16"	11"
Cutting Height	1 1/2" to 12"	
Cutting Capacity	2" Diameter	
Recommended Tractor PTO HP	20-65 HP	
PTO Speed	540 RPM	
Gearbox Ratio	1:1.93	1:1.47
Gearbox Construction	Speed-up beveled gears, cast iron housing, 1 3/8"-6 spline input shaft and 2" output shaft	
Gearbox Lubricant	EP 80-90W oil	
Gearbox oil Capacity	4.5 Pints	4 Pints
Deck Construction	All welded deck	
Deck Material Thickness	10 Gauge (.134")	
Side Skirt Material Thickness	10 Gauge (.134")	
Skid Shoes	Full length weld-on skid shoes	
Standard Accessory	1/4" x 2 1/2" x 18 7/16" Long bolt-on replaceable skid shoes (Bolts to weld-on skid shoes)	
Stump Jumper	10 GA. x 24" Round Pan with 1" thick blade holder bar	
Blades (2)	1/2" x 3" x 25" Heat treated alloy steel free-swinging high lift	1/2" x 3" x 31" Heat treated alloy steel free-swinging high lift
Blade Bolts	Keyed with harden flat washers & lock nuts.	
Blade Tip Speed	16,363 FPM	14,955 FPM
Driveline	ASAE Category 3	
Driveline Protection	Optional	Optional
		Shearbolt protection 2 Plate slip clutch
Tailwheel Mount	Welded A-arm and caster fork with 360 degree swivel	
Tailwheel	Optional	Optional
		4" x 8" x 15" Laminated tire with cast iron hub 4" x 16" Molded rubber tire
Front Guard	Optional	Optional
		Rubber Belting Single Chain Guard
Rear Guard	Standard	Optional
	Optional	Optional
		Metal Band Rubber Belting Single Chain Guard



30997