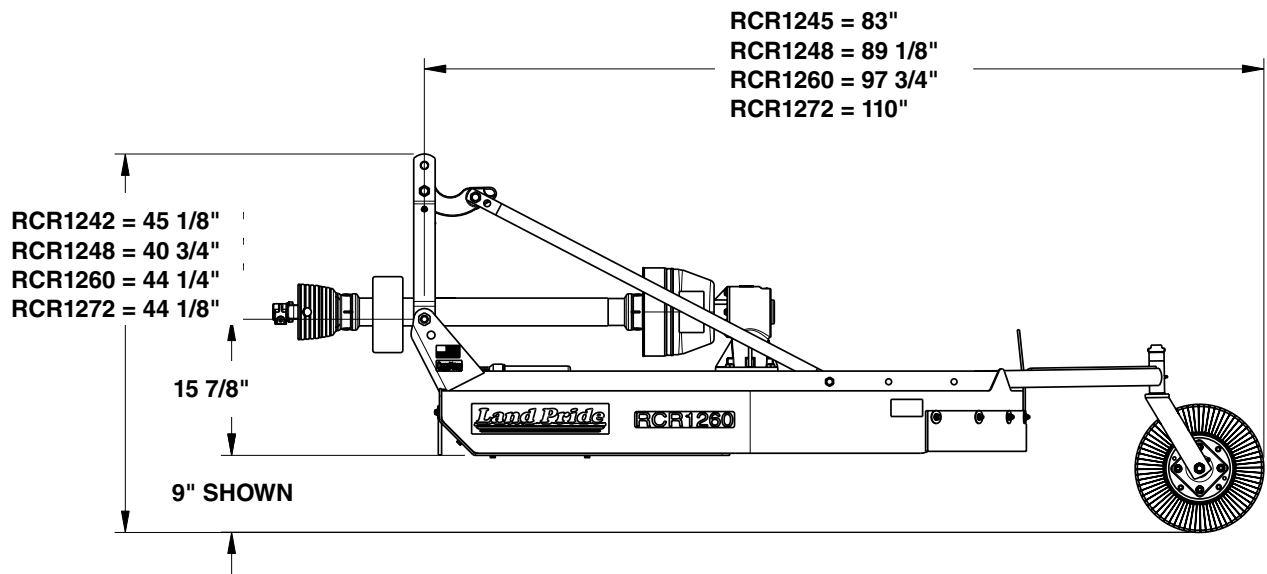
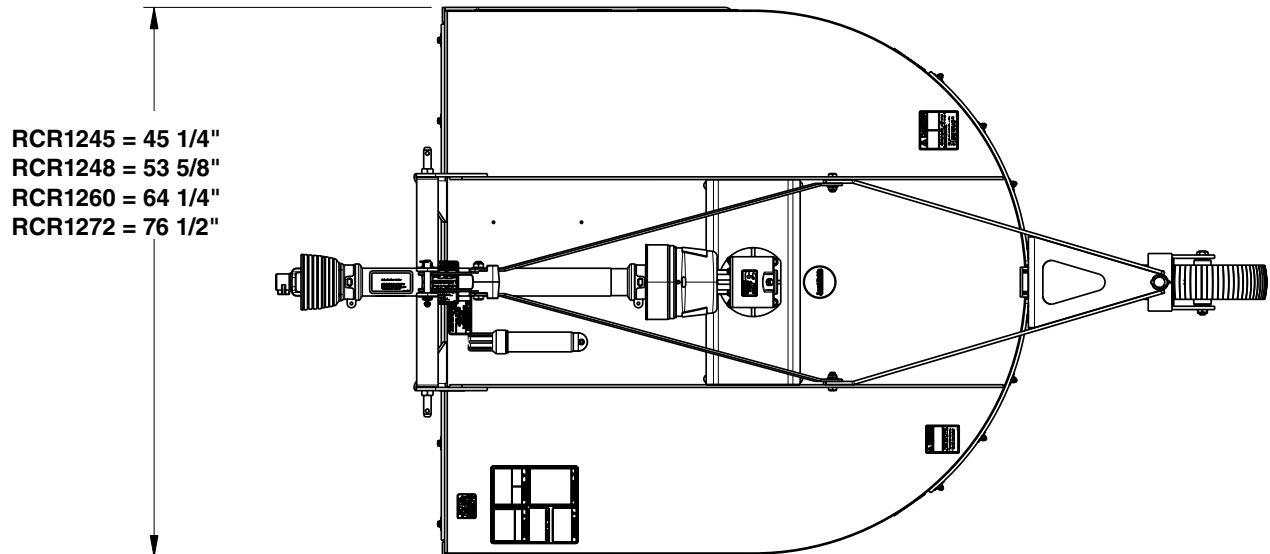


RCR12 Series

Specifications & Capacities				
Model Numbers	RCR1242	RCR1248	RCR1260	RCR1272
Weight (With front & rear guard, shear bolt driveline & laminated tire)	383 lbs.	400 lbs.	478 lbs.	564 lbs.
Hitch	Category I (Quick hitch ready)			
Cutting Width	42"	48"	60"	72"
Overall Width	45 1/4"	53 5/8"	64 1/4"	76 1/2"
Overall Length (Including Tailwheel)	83"	89 1/8"	97 3/4"	110"
Deck Height	7 1/4"			
Cutting Height	1 1/4" - 10"			
Cutting Capacity	Grass, weeds & light brush			
Recommended Tractor HP	18-40 hp	20-60 hp		25 -60 hp
PTO Speed	540 rpm			
Gearbox Rating HP	60 hp			
Gearbox (Speed up beveled gears)	1:1.93 Speed-up Cast iron housing			1:1.47 Speed-up Cast iron housing
Gearbox Lubrication & Capacity	1.1 Pint of gear lube 80-90W EP			
Deck Construction	1 Piece reinforced deck			2 Piece reinforced deck
Deck Material Thickness	12 Gauge			
Skids	12 Gauge (Formed in deck)		1/4" (Welded on deck)	
Skid Shoes	Not Available		Bolt-on replaceable skid shoes (Sold separately through parts department only)	
Stump Jumper	Round Pan 10 ga x 24"			
Blades (2)	1/2" x 3" Heat treated alloy steel Free-swinging blades			
Blade Bolts	Keyed with harden flat washer and lock nut			
Blade Tip Speed	11,417 fpm	13,256 fpm	16,536 fpm	15,033 fpm
Driveline	ASAE Category 3			
Driveline Protection Options	1/2" Center shear bolt protection or center bolt 2 plate slip clutch			
Tailwheel	4" x 8" Laminated tire and yoke			
Safety Guards	Rubber (standard front and rear)			



30320